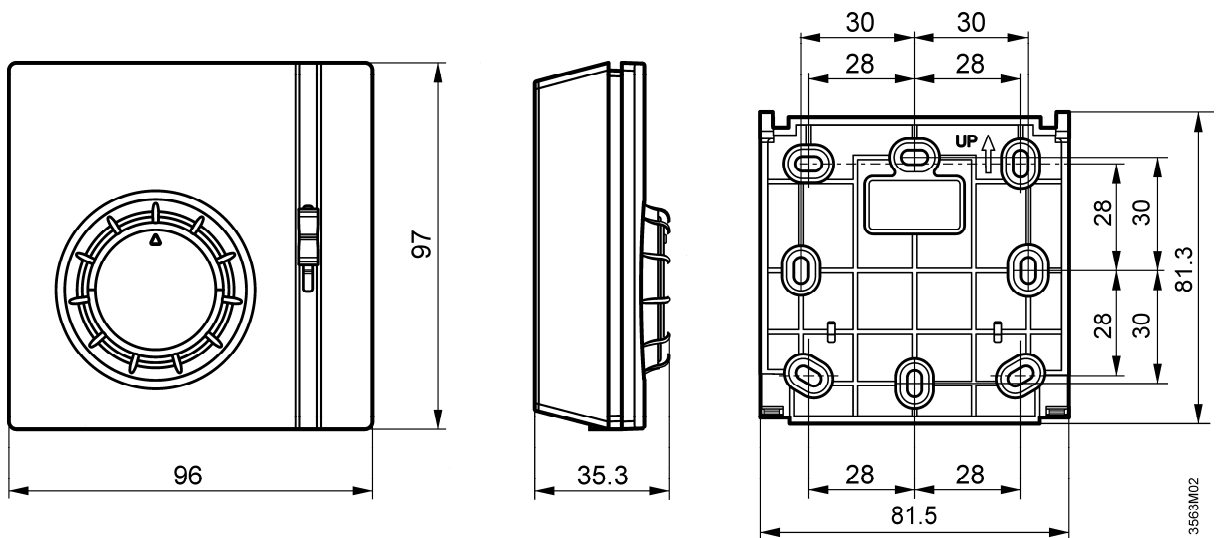
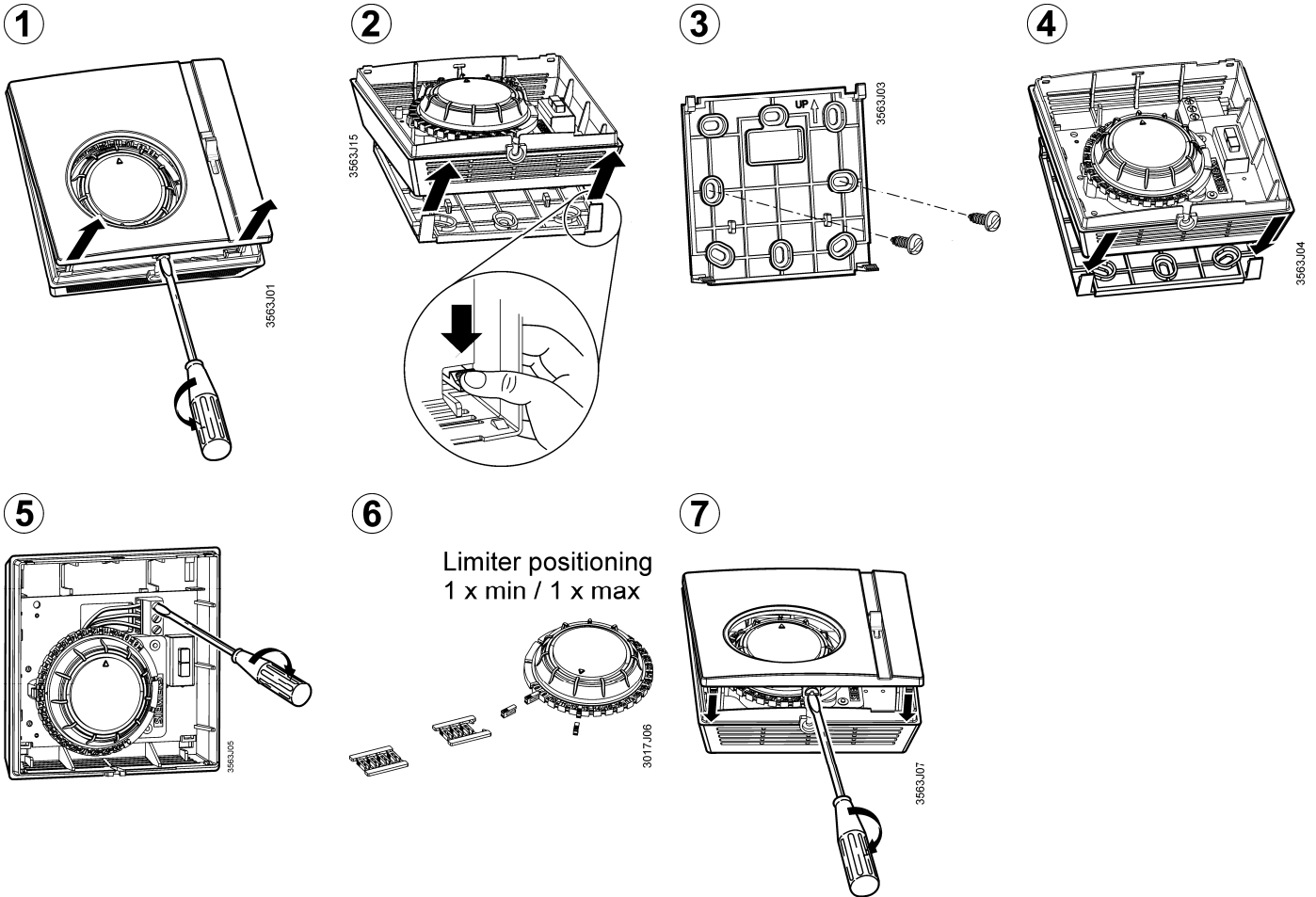


**de** Installationsanleitung  
**en** Installation Instructions  
**fr** Instructions d'installation  
**it** Istruzioni di montaggio  
**nl** Installatie-aanwijzing  
**zh** 安装说明书

**es** Instrucciones de montaje  
**pt** Instruções de montagem  
**sv** Installationsanvisning  
**fi** Asennusohje  
**da** Installationsvejledning

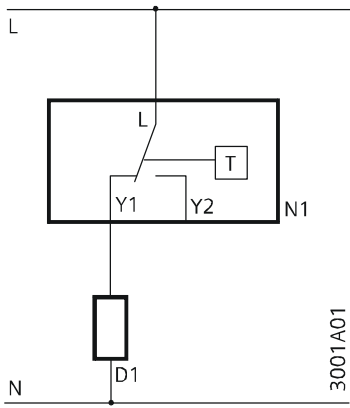
**el** Οδηγίες Εγκατάστασης  
**sk** Návod na montáž  
**cs** Montážní list  
**pl** Instrukcja montażu  
**hu** Telepítési leírás

## RAA...

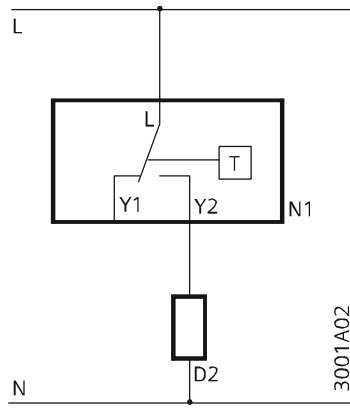


Dimensios in mm

### RAA11



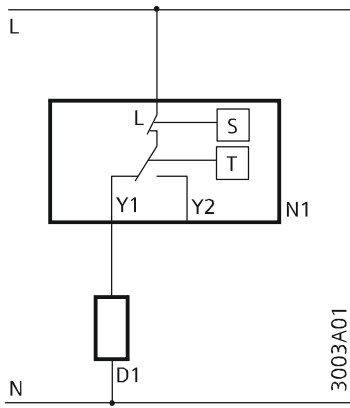
3001A01



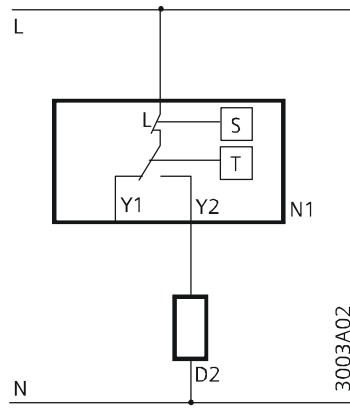
3001A02

- D1 Zone valve or thermal valve for heating
- D2 Zone valve or thermal valve for cooling
- L Switching voltage  
AC 24...250V
- N1 Room thermostat
- Y1 Control output  
"Heating", AC 24...250V
- Y2 Control output  
"Cooling", AC 24...250V
- N Neutral
- T Thermostat element  
(gas-filled diaphragm)

### RAA31



3003A01



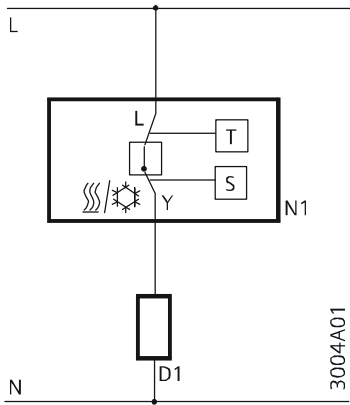
3003A02

- D1 Zone valve or thermal valve for heating
- D2 Zone valve or thermal valve for cooling
- L Switching voltage  
AC 24...250V
- N1 Room thermostat
- S ON/OFF switch
- Y1 Control output  
"Heating", AC 24...250V
- Y2 Control output  
"Cooling", AC 24...250V
- N Neutral
- T Thermostat element  
(gas-filled diaphragm)

RAA31 - Heating mode

RAA31 - Cooling mode

### RAA41



3004A01

- D1 Zone valve or thermal valve for heating
- L Switching voltage  
AC 24...250V
- N1 Room thermostat
- S Selector for Heating / OFF / Cooling
- Y Control output  
"Heating", AC 24...250V
- T Thermostat element  
(gas-filled diaphragm)